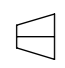



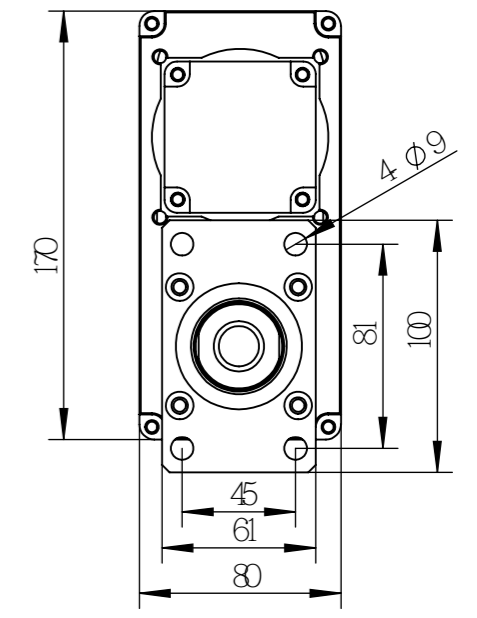
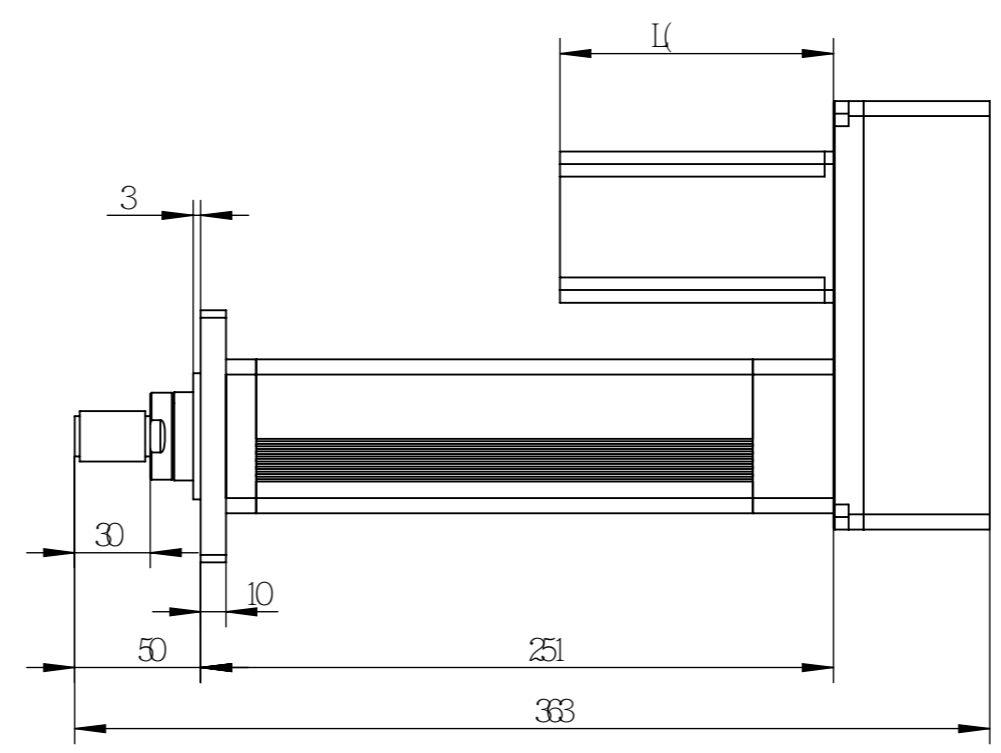
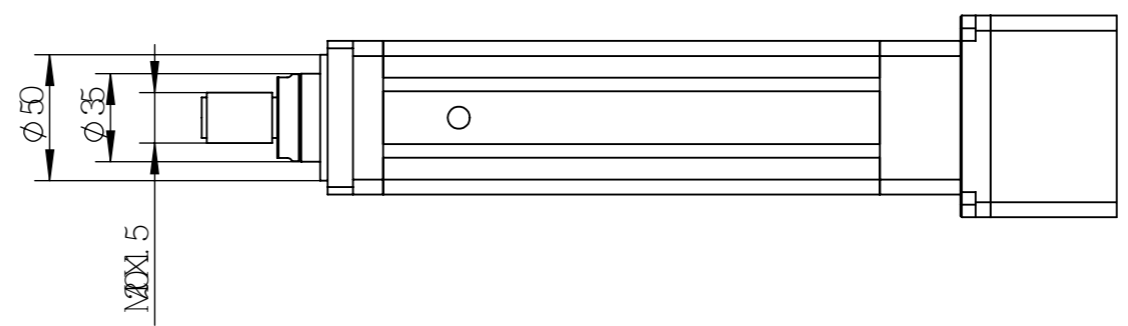
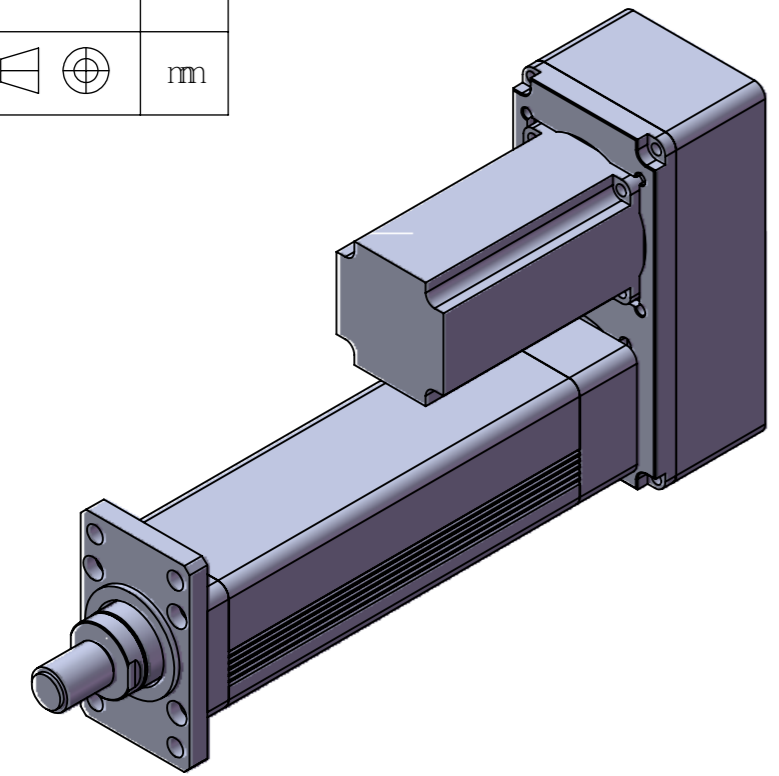
1		
		mm

A

B

C

D



() TB

NSK



QAC R100

1

2

3

4

5

6

7

8